

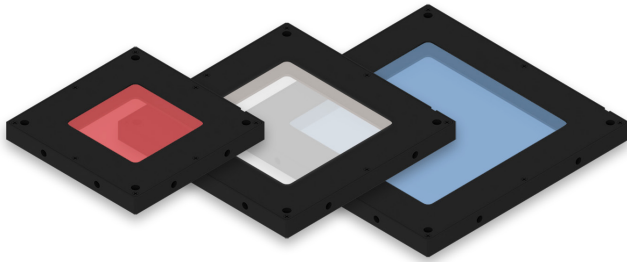
LFXV Series

For further information, please contact CCS Europe NV at +32-2-333-0080, or send an e-mail to info@ccseu.com

Product Introduction

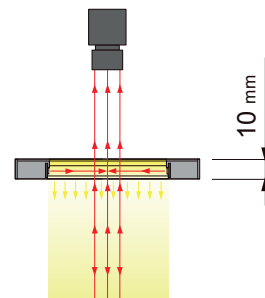
CCS Inc., the leading manufacturer of LED Lighting Solutions for Machin Vision, has released the LFXV Series, a renewal of its industry-leading LED Flat Dome Light. This unique flat dome light uses a dot pattern printed on the light-guiding diffusion plate, giving illumination effects similar to that of coaxial lights and dome lights.

With the new LFXV Series, CCS redesigned the dot pattern, making it barely visible in the acquired images. The series is able to illuminate parts with a high uniform light output, which makes it ideal for inspecting parts with high reflective surfaces or irregularities.



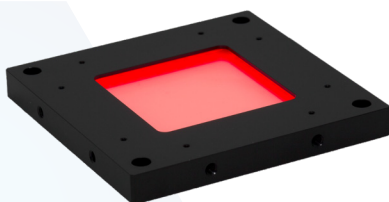
Main Features

- Redesigned light-guiding diffusion plate
- Dot pattern less visible during image capture
- Available in:
 - Red, White, Blue, and IR860
 - Emitting surface up to 200x200mm
- New space-saving design for housing



Application Example

LFXV-100RD

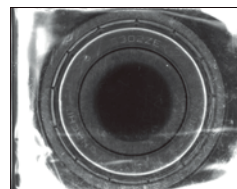


Workpiece



Bearings

Diffuse Ring Light (Red)



Due to reflection from the package surface, it is difficult to clearly image the appearance.

LFXV-100RD (Red)



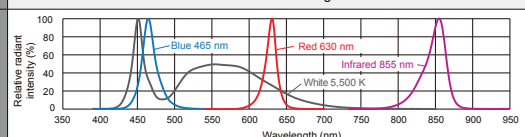
The whole surface of the package is evenly illuminated and the appearance is clearly imaged.

Product Lineup

Model name	LED color	Power consumption	Peak wavelength / correlated color temperature	Options	Extension cables	Recommended Control Units	Weight
LFXV-25RD	Red	24 V / 1.2 W	630 nm	—	<div style="display: flex; flex-direction: column; align-items: center;"> <div style="border: 1px solid black; padding: 2px; margin-bottom: 5px;">FCB*3 Straight Cable</div> <div style="border: 1px solid black; padding: 2px; margin-bottom: 5px;">FCB-W*4 2-Branch Cable</div> <div style="border: 1px solid black; padding: 2px; margin-bottom: 5px;">FCB-F 4-Branch Cable</div> <div style="border: 1px solid black; padding: 2px;">FRCB Robot Cable</div> </div> <p style="font-size: 8px; margin-top: 10px;">*3 The cables with a model name that ends with "-ME7", "-EL2", "-PF", or "-PF-EL9" are not included. *4 The cables with a model name that ends with "-EL2" are not included.</p>	<div style="display: flex; justify-content: space-around; align-items: center;"> <div style="border: 1px solid black; padding: 2px;">PD3</div> <div style="border: 1px solid black; padding: 2px;">CC-ST-1024</div> </div> <div style="display: flex; justify-content: space-around; align-items: center; margin-top: 5px;"> <div style="border: 1px solid black; padding: 2px;">PSB</div> <div style="border: 1px solid black; padding: 2px;">POD *1</div> </div>	80 g
LFXV-25SW	White	24 V / 1.3 W	5,500 K				
LFXV-25BL	Blue	24 V / 1.2 W	465 nm			<div style="display: flex; justify-content: space-around; align-items: center;"> <div style="border: 1px solid black; padding: 2px;">PD3</div> <div style="border: 1px solid black; padding: 2px;">CC-ST-1024</div> </div> <div style="display: flex; justify-content: space-around; align-items: center; margin-top: 5px;"> <div style="border: 1px solid black; padding: 2px;">PSB</div> <div style="border: 1px solid black; padding: 2px;">POD *1</div> </div>	190 g
LFXV-25IR860	Infrared	24 V / 1.2 W	855 nm				
LFXV-50RD	Red	24 V / 9.1 W	630 nm			<div style="display: flex; justify-content: space-around; align-items: center;"> <div style="border: 1px solid black; padding: 2px;">PD3</div> <div style="border: 1px solid black; padding: 2px;">CC-ST-1024</div> </div> <div style="display: flex; justify-content: space-around; align-items: center; margin-top: 5px;"> <div style="border: 1px solid black; padding: 2px;">PSB</div> <div style="border: 1px solid black; padding: 2px;">POD *1</div> </div>	290 g
LFXV-50SW	White	24 V / 9.9 W	5,500 K				
LFXV-50BL	Blue	24 V / 9.3 W	465 nm			<div style="display: flex; justify-content: space-around; align-items: center;"> <div style="border: 1px solid black; padding: 2px;">PD3</div> <div style="border: 1px solid black; padding: 2px;">CC-ST-1024</div> </div> <div style="display: flex; justify-content: space-around; align-items: center; margin-top: 5px;"> <div style="border: 1px solid black; padding: 2px;">PSB</div> <div style="border: 1px solid black; padding: 2px;">POD *1</div> </div>	400 g
LFXV-50IR860	Infrared	24 V / 5.7 W	855 nm				
LFXV-75RD	Red	24 V / 14 W	630 nm			<div style="display: flex; justify-content: space-around; align-items: center;"> <div style="border: 1px solid black; padding: 2px;">PD3</div> <div style="border: 1px solid black; padding: 2px;">CC-ST-1024</div> </div> <div style="display: flex; justify-content: space-around; align-items: center; margin-top: 5px;"> <div style="border: 1px solid black; padding: 2px;">PSB</div> <div style="border: 1px solid black; padding: 2px;">POD *1</div> </div>	870 g
LFXV-75SW	White	24 V / 15 W	5,500 K				
LFXV-75BL	Blue	24 V / 14 W	465 nm			<div style="display: flex; justify-content: space-around; align-items: center;"> <div style="border: 1px solid black; padding: 2px;">PD3</div> <div style="border: 1px solid black; padding: 2px;">CC-ST-1024</div> </div> <div style="display: flex; justify-content: space-around; align-items: center; margin-top: 5px;"> <div style="border: 1px solid black; padding: 2px;">PSB</div> <div style="border: 1px solid black; padding: 2px;">POD *1</div> </div>	870 g
LFXV-75IR860	Infrared	24 V / 12 W	855 nm				
LFXV-100RD	Red	24 V / 16 W	630 nm			<div style="display: flex; justify-content: space-around; align-items: center;"> <div style="border: 1px solid black; padding: 2px;">PD3</div> <div style="border: 1px solid black; padding: 2px;">CC-ST-1024</div> </div> <div style="display: flex; justify-content: space-around; align-items: center; margin-top: 5px;"> <div style="border: 1px solid black; padding: 2px;">PSB</div> <div style="border: 1px solid black; padding: 2px;">POD *1</div> </div>	1,300 g
LFXV-100SW	White	24 V / 20 W	5,500 K				
LFXV-100BL	Blue	24 V / 19 W	465 nm			<div style="display: flex; justify-content: space-around; align-items: center;"> <div style="border: 1px solid black; padding: 2px;">PD3</div> <div style="border: 1px solid black; padding: 2px;">CC-ST-1024</div> </div> <div style="display: flex; justify-content: space-around; align-items: center; margin-top: 5px;"> <div style="border: 1px solid black; padding: 2px;">PSB *2</div> <div style="border: 1px solid black; padding: 2px;">POD *1</div> </div> <p style="font-size: 8px; margin-top: 5px;">*2 Only infrared can be used.</p>	1,300 g
LFXV-100IR860	Infrared	24 V / 12 W	855 nm				
LFXV-150RD	Red	24 V / 28 W	630 nm			<div style="display: flex; justify-content: space-around; align-items: center;"> <div style="border: 1px solid black; padding: 2px;">PD3</div> <div style="border: 1px solid black; padding: 2px;">CC-ST-1024</div> </div> <div style="display: flex; justify-content: space-around; align-items: center; margin-top: 5px;"> <div style="border: 1px solid black; padding: 2px;">PSB</div> <div style="border: 1px solid black; padding: 2px;">POD *1</div> </div>	870 g
LFXV-150SW	White	24 V / 30 W	5,500 K				
LFXV-150BL	Blue	24 V / 28 W	465 nm			<div style="display: flex; justify-content: space-around; align-items: center;"> <div style="border: 1px solid black; padding: 2px;">PD3</div> <div style="border: 1px solid black; padding: 2px;">CC-ST-1024</div> </div> <div style="display: flex; justify-content: space-around; align-items: center; margin-top: 5px;"> <div style="border: 1px solid black; padding: 2px;">PSB</div> <div style="border: 1px solid black; padding: 2px;">POD *1</div> </div>	870 g
LFXV-150IR860	Infrared	24 V / 17 W	855 nm				
LFXV-200X100RD	Red	24 V / 23 W	630 nm	<div style="display: flex; justify-content: space-around; align-items: center;"> <div style="border: 1px solid black; padding: 2px;">PD3</div> <div style="border: 1px solid black; padding: 2px;">CC-ST-1024</div> </div> <div style="display: flex; justify-content: space-around; align-items: center; margin-top: 5px;"> <div style="border: 1px solid black; padding: 2px;">PSB</div> <div style="border: 1px solid black; padding: 2px;">POD *1</div> </div>	870 g		
LFXV-200X100SW	White	24 V / 30 W	5,500 K				
LFXV-200X100BL	Blue	24 V / 28 W	465 nm	<div style="display: flex; justify-content: space-around; align-items: center;"> <div style="border: 1px solid black; padding: 2px;">PD3</div> <div style="border: 1px solid black; padding: 2px;">CC-ST-1024</div> </div> <div style="display: flex; justify-content: space-around; align-items: center; margin-top: 5px;"> <div style="border: 1px solid black; padding: 2px;">PSB</div> <div style="border: 1px solid black; padding: 2px;">POD *1</div> </div>	1,300 g		
LFXV-200X100IR860	Infrared	24 V / 17 W	855 nm				
LFXV-200RD	Red	24 V / 31 W	630 nm	<div style="display: flex; justify-content: space-around; align-items: center;"> <div style="border: 1px solid black; padding: 2px;">PD3</div> <div style="border: 1px solid black; padding: 2px;">CC-ST-1024</div> </div> <div style="display: flex; justify-content: space-around; align-items: center; margin-top: 5px;"> <div style="border: 1px solid black; padding: 2px;">PSB *2</div> <div style="border: 1px solid black; padding: 2px;">POD *1</div> </div> <p style="font-size: 8px; margin-top: 5px;">*2 Only infrared can be used.</p>	1,300 g		
LFXV-200SW	White	24 V / 40 W	5,500 K				
LFXV-200BL	Blue	24 V / 38 W	465 nm	<div style="display: flex; justify-content: space-around; align-items: center;"> <div style="border: 1px solid black; padding: 2px;">PD3</div> <div style="border: 1px solid black; padding: 2px;">CC-ST-1024</div> </div> <div style="display: flex; justify-content: space-around; align-items: center; margin-top: 5px;"> <div style="border: 1px solid black; padding: 2px;">PSB *2</div> <div style="border: 1px solid black; padding: 2px;">POD *1</div> </div> <p style="font-size: 8px; margin-top: 5px;">*2 Only infrared can be used.</p>	1,300 g		
LFXV-200IR860	Infrared	24 V / 23 W	855 nm				

*1 For information on the combination of Light Units and POD-series Control Unit, please refer to our website. <http://www.ccs-grp.com/lnk/gr/pod>

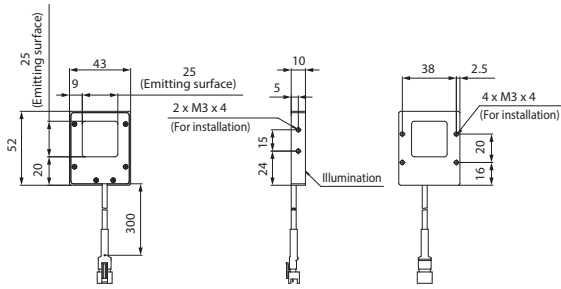
Common specifications

Input voltage (max.)	24 VDC	Operating environment (indoors only)	Temperature: 0 to 40°C, Humidity: 20 to 85%RH (with no condensation)
Connector	SM connector (SMR-03V-B)	Storage environment	Temperature: -20 to 60°C, Humidity: 20 to 85%RH (with no condensation)
Polarity, signal	1: (+), 2: NC, 3: (-)	Cooling method	Natural air-cooling
CE marking	Safety standard: Conforms to EN 62471	Spectral distribution	
Environmental regulations	RoHS compliant		
Case material	Aluminum alloy, Resin (protective plate, light-guiding diffusion plate)		
Cable length	300 mm		

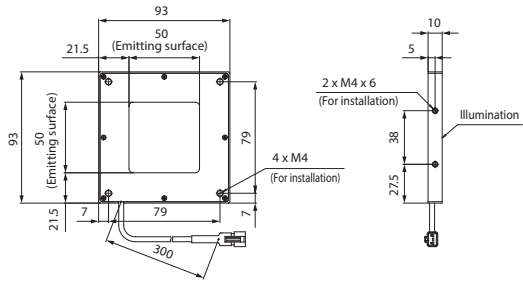
The data included is for reference only. Actual values may vary.

Product Lineup

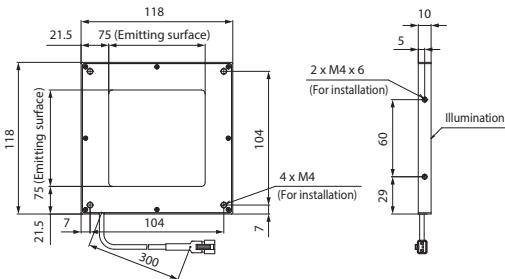
LFXV-25RD/SW/BL/IR860



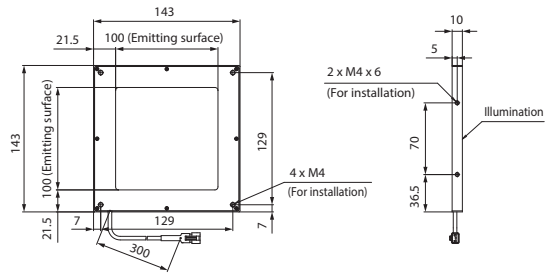
LFXV-50RD/SW/BL/IR860



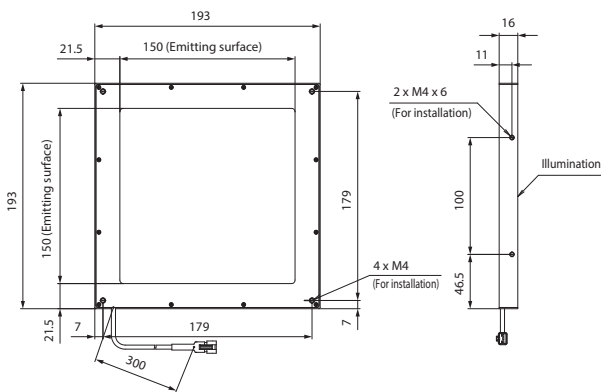
LFXV-75RD/SW/BL/IR860



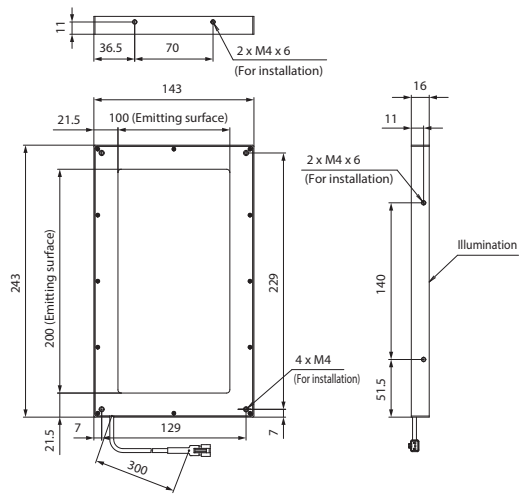
LFXV-100RD/SW/BL/IR860



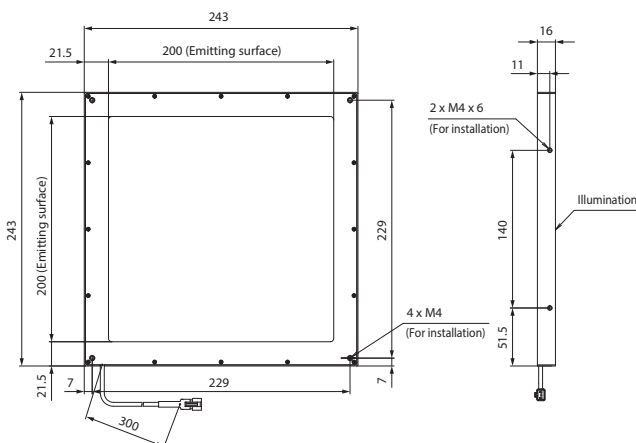
LFXV-150RD/SW/BL/IR860



LFXV-200X100RD/SW/BL/IR860



LFXV-200RD/SW/BL/IR860



Diagrams for 4XM4 Installation Holes

